

# *Stone* INDUSTRIE

CUSTOMIZED BOTTLING SOLUTIONS

Stone Industrie, an international specialist in bottling lines, designs and manufactures stationary and mobile lines. This scalable equipment, on the cutting edge of technology, meets the widest variety of needs, backed by our constant commitment to the highest quality standards.

# Customized bottling solutions

## DESIGN AND ENGINEERING DEPARTMENT: COMBINING ART AND TECHNOLOGY

Our team of technicians and engineers, who are specialized in mechanics and automatic control systems, designs your project in 3D and acts as the interface between your needs and the manufacturing of the equipment. This work is based on close collaboration, both early in the project and then further along, with our partners who supply additional equipment and with our subcontractors.

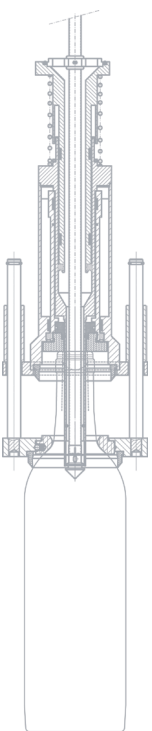


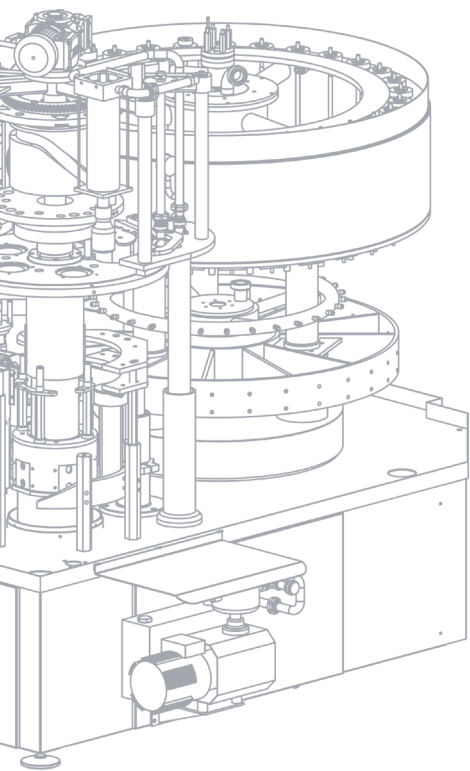
50 years of experience

from 3,000 to over

## Design and innovation

Before we make any kind of proposal, we always make sure that we understand your issues and challenges first. Our design and engineering department works to ensure that the custom-made solutions we offer are fully adapted to your specific requirements and needs. And as Stone Industrie carries out all our own manufacturing and assembly, we have total control over these aspects and guarantee absolute conformity of the equipment.



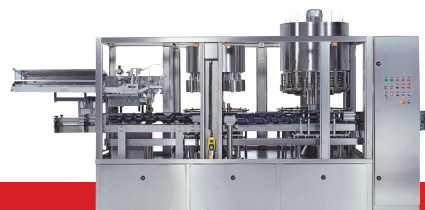


## Respecting your product

For Stone Industrie, respecting your product is a top priority, leading the company to develop innovative solutions at every stage of the bottling process. For example, the principle of filling with gravity alone optimally preserves the product's qualities, prevents over-filling, problems with vacuum and resuction, loss of flavor and oxygenation. The inerting technique developed by Stone Industrie, which is used in combination with the gravity filling process, gives you control over the amount of dissolved oxygen pick-up during the filling phase.



20,000 bottles/hour



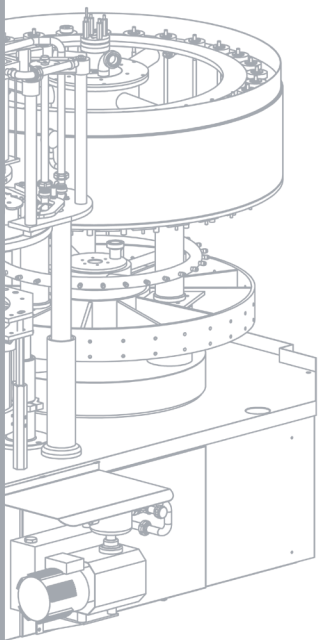
from rinsing to labeling

## AFTER INSTALLATION, THE SERVICE CONTINUES

As Stone Industrie is committed to serving you every step of the way, we provide ultra-efficient after-sales service with a hotline that immediately solves 80% of breakdowns, and a team of technicians ready to respond right away.

## Simple and reliable

The reliability of the equipment we make and the innovative solutions we develop have helped build Stone Industrie's reputation. Thanks to high-performance, robust mechanical components, automatic control systems that comply with sanitary procedures, sophisticated software applications, user-friendly supervision systems with touch screens, easy-to-clean components and more, Stone Industrie equipment guarantees durability, efficiency and comfort of use.



# Stone INDUSTRIE

CUSTOMIZED BOTTLING SOLUTIONS

## Head office

11 chemin de Pré-Vallin

38730 Doissin - France

tel. +33 (0)4 74 92 19 20

fax +33 (0)4 74 27 98 25

[info@stone-bottling.com](mailto:info@stone-bottling.com)

[www.stone-bottling.com](http://www.stone-bottling.com)



## Head office

